

INTERLAB

Tel: +331 3971 7337 – Fax: +331 3928 9008

ISSUE: SCSI N peripherals disappearance.

As every one can seem SCSI peripherals are getting hard to find and prices are getting up. However, some equipment has only SCSI adaptors to deal with and no other alternative are possible.

To answer to those requirements we tested an ADAPTOR bridge converting SCSI into ATA. Purpose is to adapt consumer ZIP, JAZ or CD burners in ATA 40 pins to closed systems such as Pixel Power Collage or Lightworks, Heavyworks & VIP-4500.

Tested: Lightworks / Heavyworks

SCSI-2742T (IEC-10 SCSI-2)

ATA 250MB ZIP fro Iomega

AEC-7720U bios 3.72

Software V2.x & 4.x DOS

Attention we experienced some troubles with V6.x, Acard modified for us BIOS to enable 6.5.x operation. Valid BIOS is V.3.72.

In addition in ADAPTEC bios, change initiate sync negotiation - Id #zip - Yes

Ecu > change configuration settings > adaptec aha-2740/2742 scsi > device configuration > initiate sync negotiation - Id #zip - Yes

<http://www.acard.com/eng/product/scside/aec-7720u.html>

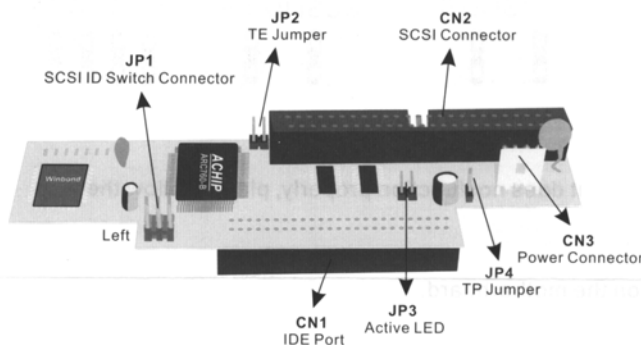
Preparing Adaptor.

Set SCSI ID – (JP1) 4 – 2 – 1 Id combination (in replacement to MO on LW set id to 3

Remove Jumper (JP4) Power terminator

Use the Power adaptor to power AEC adaptor and ATA device.

Connect and install the assembly.



Note:

In Lightworks environment, the ZIP drive is detected as MO drive and software allows you to address it as a backup device, transparently. Two removable devices can co-exist the first to go is the one have a cartridge on and higher Id. If both are ready only one is addressable, it is the one having the lower Id.

Pls. send us your feel back.
Rev.1.1 – David 12.06.03