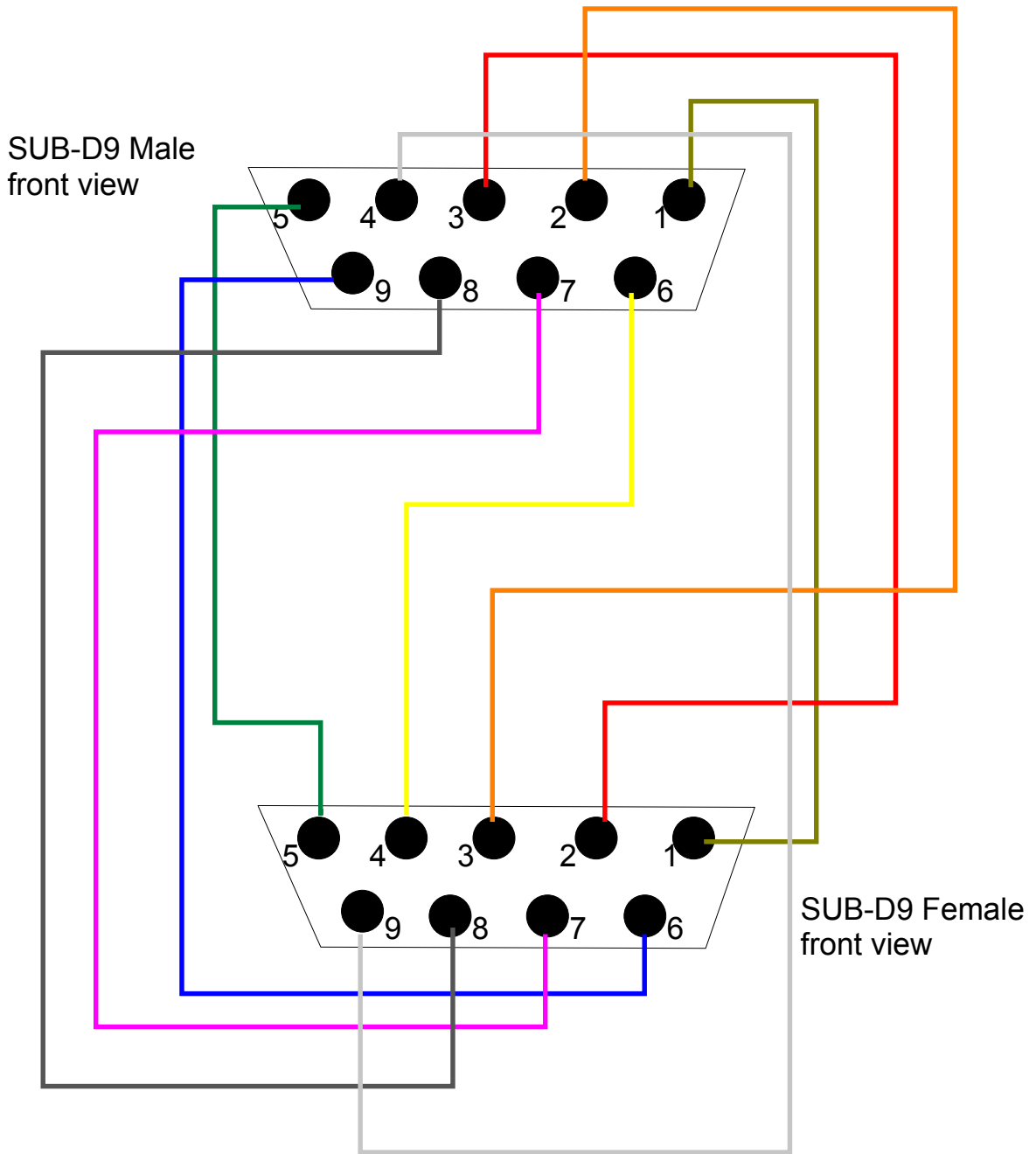


File: Serial_c
 RS-232 Serial crossover cable
 Date: 08.09.2002
 Rev. : 1.0



SUB-D9 FEMALE		SUB-D9 MALE	
Pin#	Fuction	Pin#	Fuction
2	RD	3	TD
3	TD	2	RD
8	CTS	8	CTS
7	RTS	7	RTS
6	DSR	9	
5	SG	5	SG
4	DTR	6	DSR
1	DCD	1	DCD
9		4	DTR